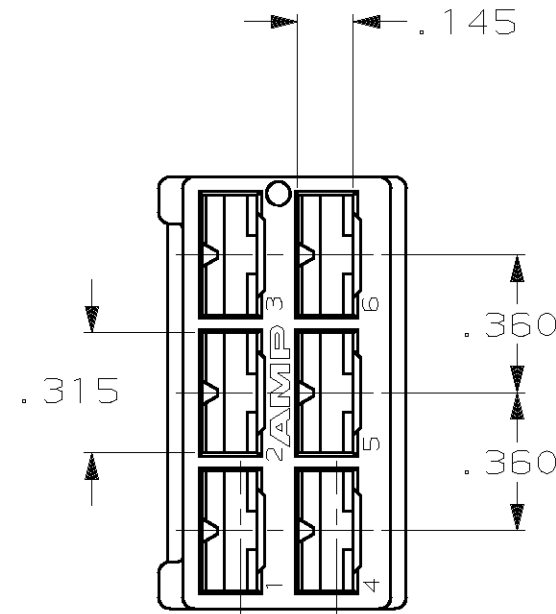
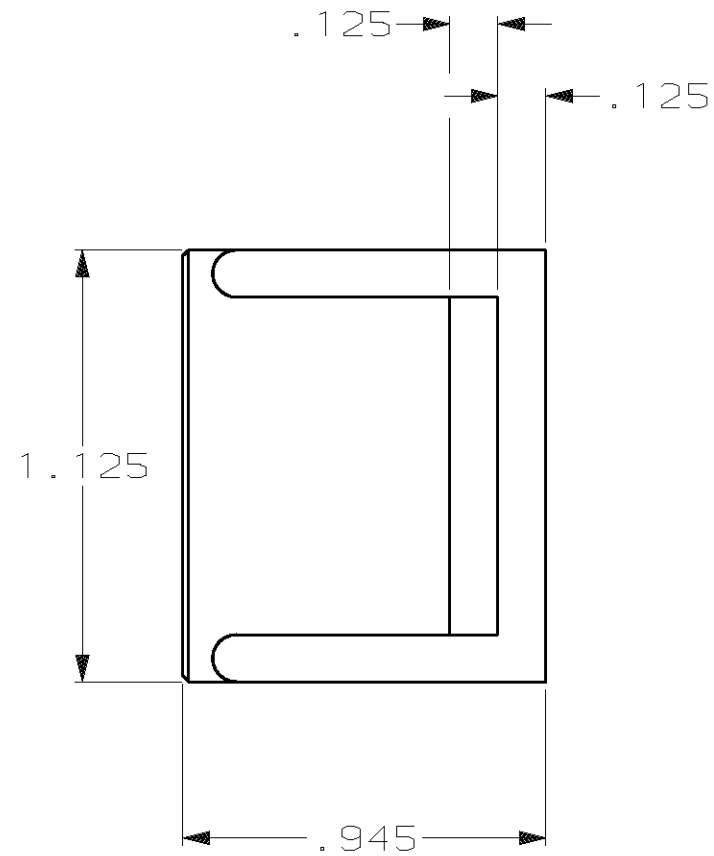
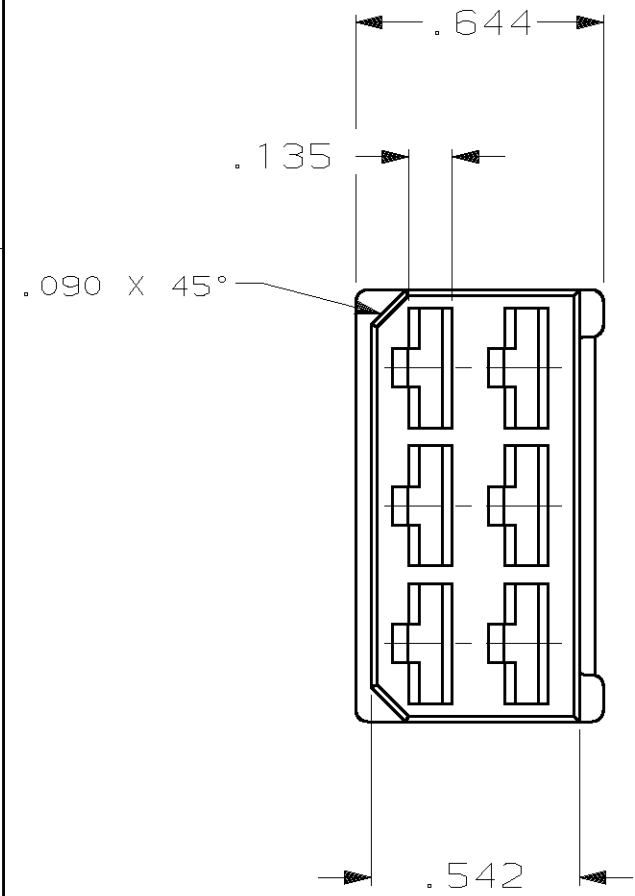


THIS DRAWING IS UNPUBLISHED. RELEASED FOR PUBLICATION, 19
 © COPYRIGHT 19 BY AMP INCORPORATED. ALL INTERNATIONAL RIGHTS RESERVED.

LOC	DIST	P	F	REVISIONS			DATE	APPD
AF	50			ZONE	LTR	DESCRIPTION		
					AB	REV PER 0G1A-0176-99	16JUN99	JR/PD



1 FOR MOUNTING DIMENSIONS REFER TO CP-15708.

	BLACK	NYLON-V2	1-480281-0
	COLOR	MATERIAL	PART NO
DO NOT SCALE PRINT. UNLESS SPECIFIED DIMENSIONS ARE IN INCHES. TOLERANCES ON: 2 PLC DEC ± - 3 PLC DEC ± .015 ANGLES ± -	DR 2/5/91 JR RUTH	AMP Incorporated Harrisburg, PA 17105-3608	
	CHK 2/5/91 P FORTNEY		
MATERIAL	APPD 2/5/91 C MEYERS	NAME	
SEE TABLE	APPD 2/5/91 D REINER	HOUSING, RECEPTACLE, FASTIN-FASTON, .250 SERIES	
FINISH	PRODUCT SPEC	SIZE	CAGE CODE
SEE TABLE	APPLICATION SPEC	B	00779
	WEIGHT -	DRAWING NO	480281
		SCALE	SHEET
		2:1	1 OF 1